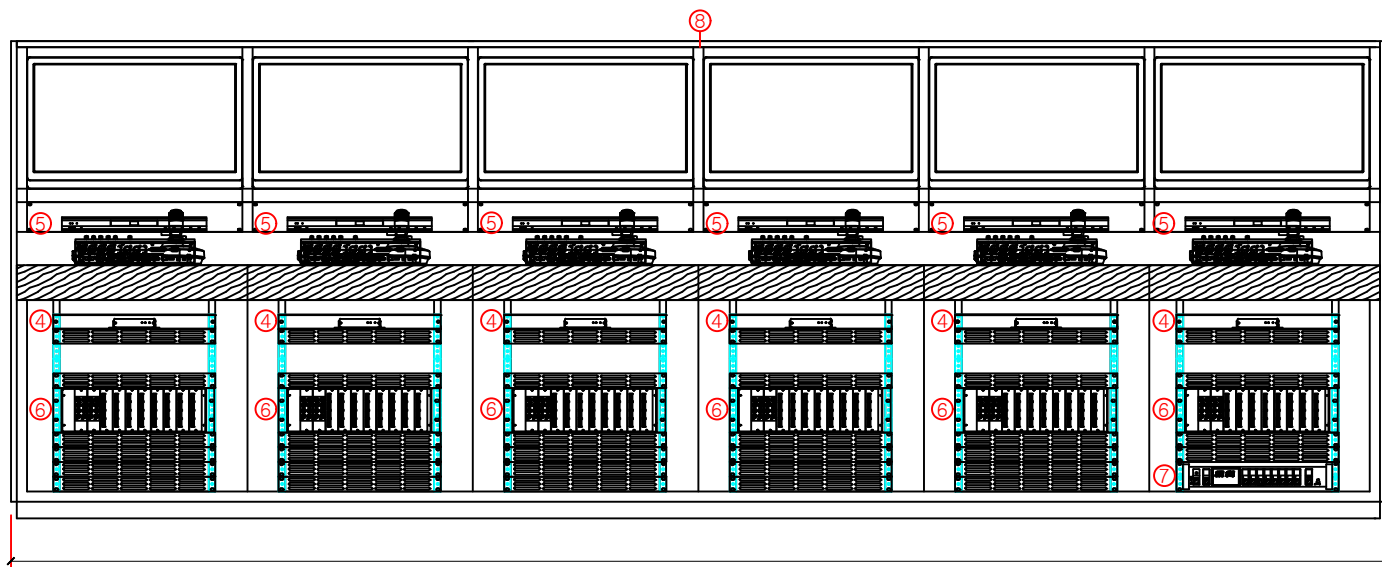


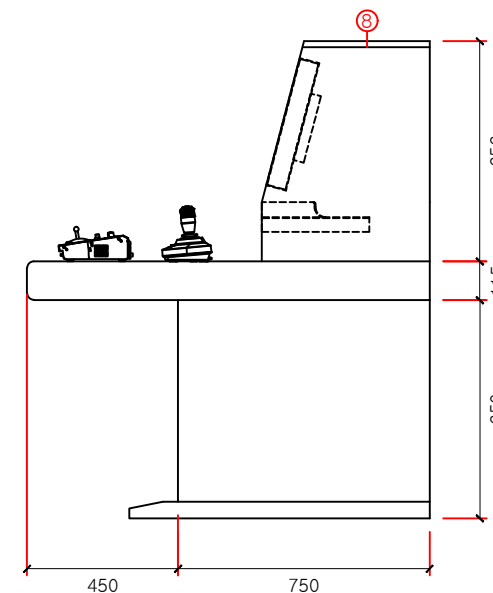
TOP VIEW (Console Desk)

**NOTE**

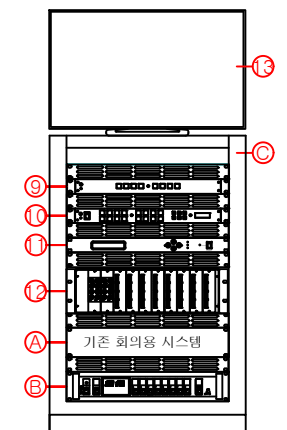
NO	ITEM	MODEL	Q'TY
	1층 조정실 시스템 구성		
1	Camera Controller	RM-IP10	6
2	Multi Format Switcher	V-60HD	6
3	Multiview Monitor	LED 27"	6
4	VIDEO Converter	HD-SDI to HDMI	6
5	HD Recorder	HD 4:2:2/SSD	6
6	Multi Channel Fiber Link(TX)	6x3GSDI/Ethernet/Data	6
7	POWER DISTRIBUTOR	220V/30A/8CH	1
8	System Console Desk	6BAY	1
	상임위원회실 시스템 구성(6개소)		
9	Switch HUB	8PORT	1
10	Digital Matrix Switcher	3G HD-SDI 8x8	1
11	Camera position device	CAM5/MIC/RT	1
12	Multi Channel Fiber Link(RX)	6x3GSDI/Ethernet/Data	1
13	Monitor	LED 22"	1
A	* 회의용 시스템 [기존설비]		
B	* 전원공급기 [기존설비]		
C	* 19" RACK CABINET [기존설비]		



FRONT VIEW (Console Desk)



SIDE VIEW (Console Desk)



FRONT VIEW (상임위원회실 CABINET-6개소)

상임위원회 HD 영상시스템 RACK SECTION

SCALE: A3 1/NONE

	DRAWN BY :	OWNER APPROVED	NO.	DATE	REVISIONS	SIGNED BY	SCALE :	DRAWING NO :	DRAWING NAME :
	CHECKED BY :		1	/			NONE		상임위원회 HD 영상시스템 RACK SECTION
	CHECKED BY :		2	/			DATE :	FILE NAME :	PROJECT NAME :
	APPROVED BY :		3	/					상임위원회 6개소 HD Video System